

TREK1000 Quick Start Guide

Two-Way-Ranging (TWR) RTLS IC Evaluation Kit



Welcome

Thank you for purchasing this TREK1000 Evaluation Kit. This demonstrates the functionality of the Decawave DW1000 chip using two-way ranging distance measurements in RTLS application use cases and allows you to evaluate the DW1000 technology.

This Quick Start Guide is all that is needed to get up-and-running quickly. The TREK1000 can be arranged to evaluate three different use cases:

1. Tracking Use Case
2. Geo-Fencing Use Case
3. Navigation Use Case

Note: The TREK1000 is pre-configured to operate in the Tracking Use Case.

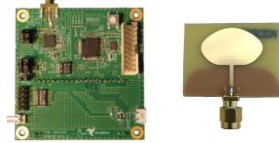
The TREK1000 contains four evaluation boards (EVB1000), four antennae, four DC power leads, four USB cables and four stands. You should check the contents of the TREK1000 carefully to ensure no components are missing or damaged.

Visit Decawave (<http://www.decawave.com/products>) for the TREK1000 PC application, more documentation (including the TREK1000 User Manual) & updated firmware releases.

Quick Setup: Required Components

Step 1. Check Contents of the Kit

4 EVB1000 Units
4 Antennas



4 DC Power Leads



4 Stands



3 x 1.8m USB Cables



1 x 60cm USB Cable



Step 2. You Will Also Need

PC



3 USB
Batteries or
Power
Supplies



PC Software*

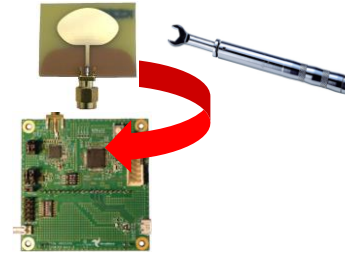
Download from:
 Decawave

TREK1000
User Manual

Download from:
 Decawave

Step 3. Attach Antenna

Screw the Antennas
onto the Anchors.



It is recommended
to use an SMA
Torque Wrench to
ensure a proper
connection is made.

*Install the STMicroelectronics Virtual COM Port Driver on the PC from this link: <http://www.st.com/web/en/catalog/tools/PF257938>

Mounting Suggestions

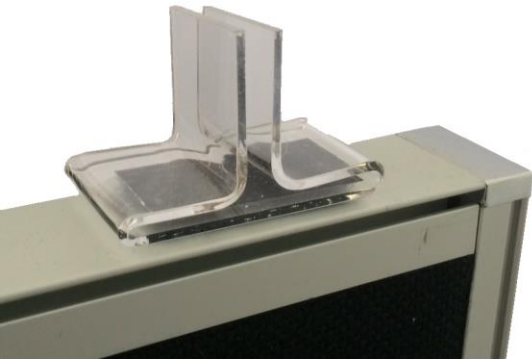
Use the TREK Stand



Use the TREK Stand with a Tripod



Use the TREK Stand with Velcro Tape



Three Use Case Configurations

1. Tracking Use Case

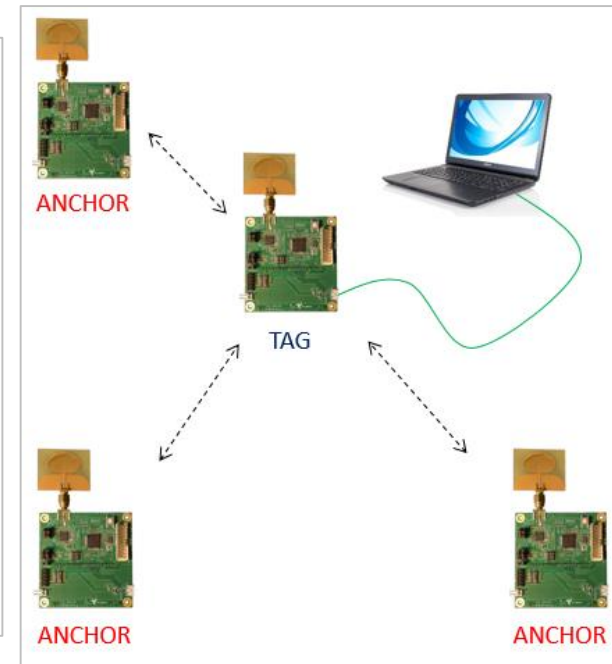
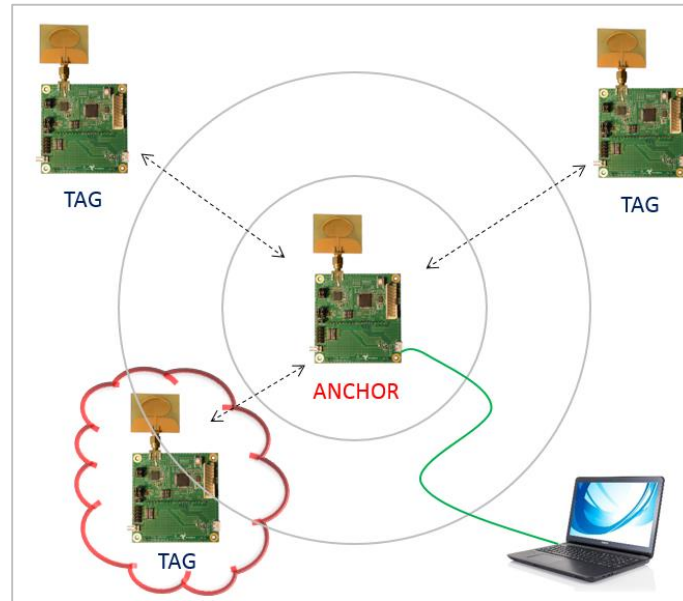
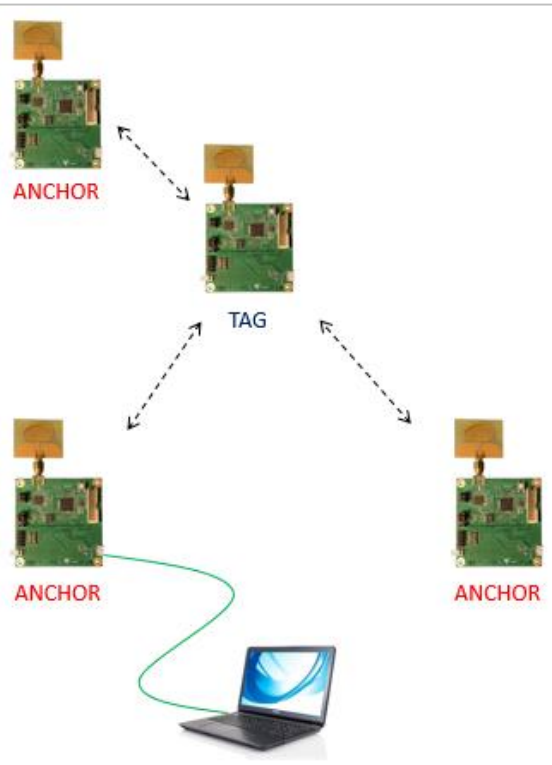
- 3 Mounted Anchors
- 1 Mobile Tag
- 2D & 3D Tag Tracking

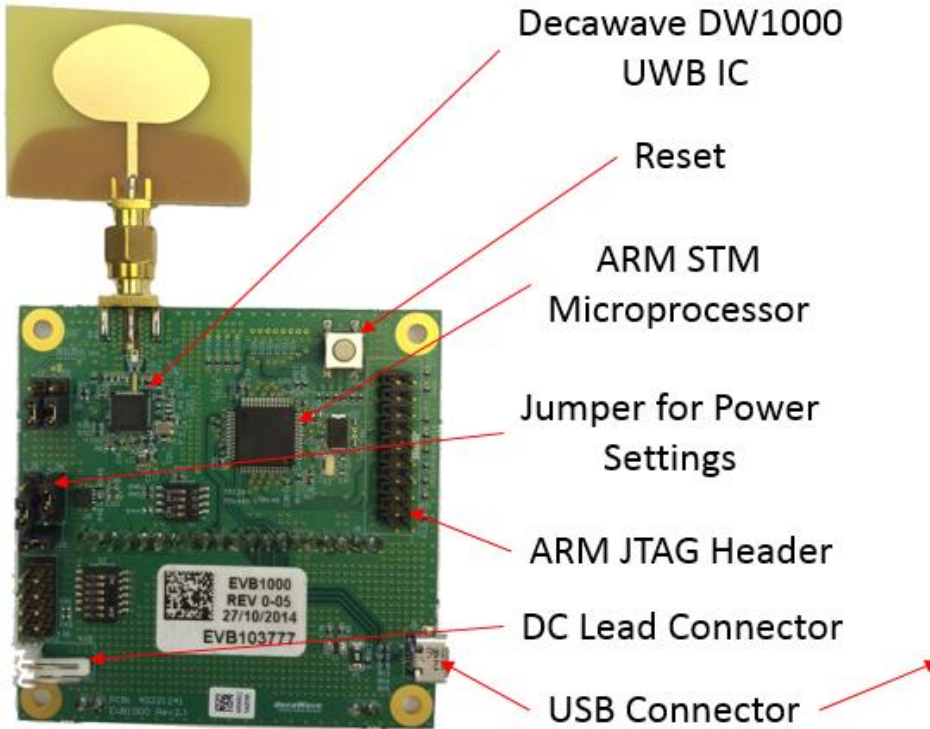
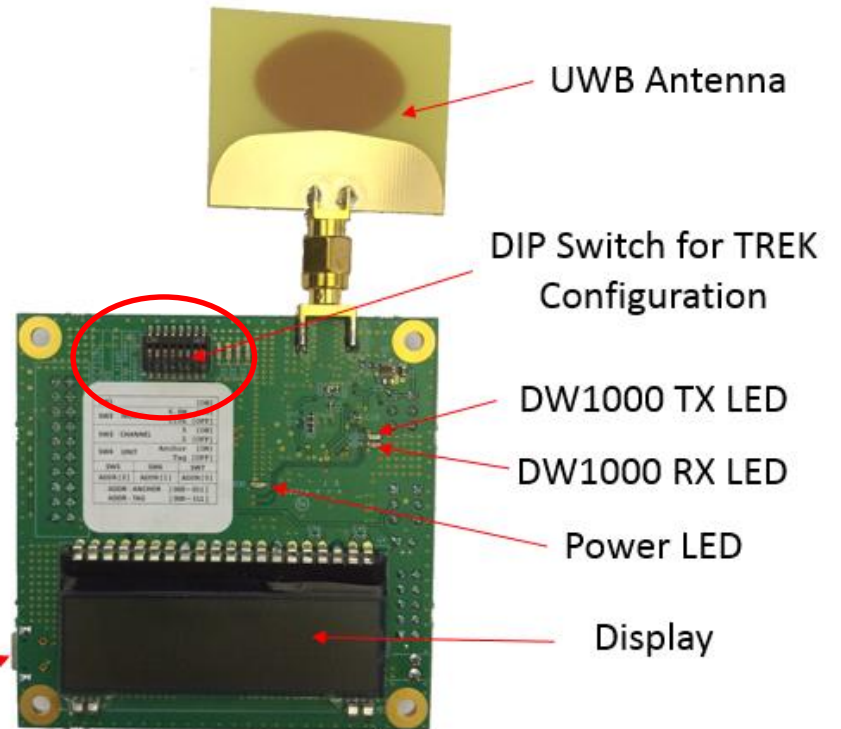
2. Geo-Fencing Use Case

- 1 Fixed Anchor
- 3 Tags
- Warning when Tags enter/leave a zone (bubble)

3. Navigation Use Case

- 3 Mounted Anchors
- 1 Mobile Tag
- 2D & 3D Tag Tracking
- PC connected to Tag

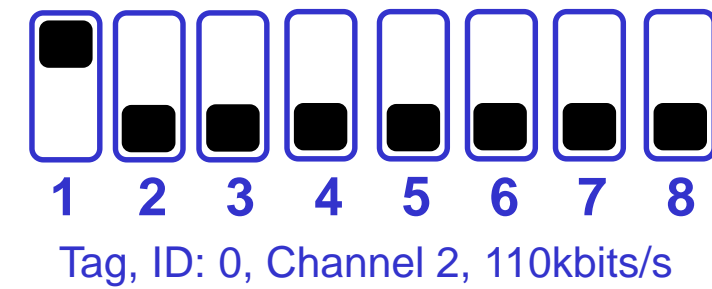
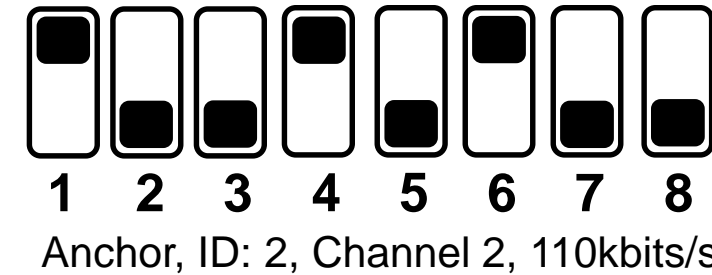
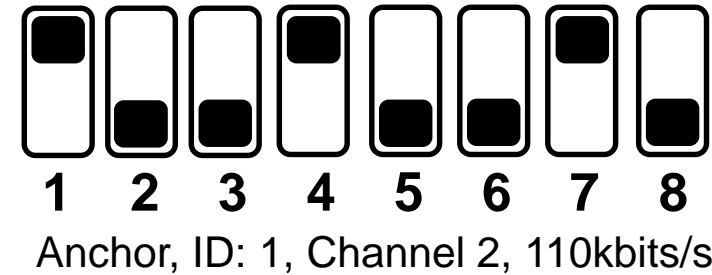
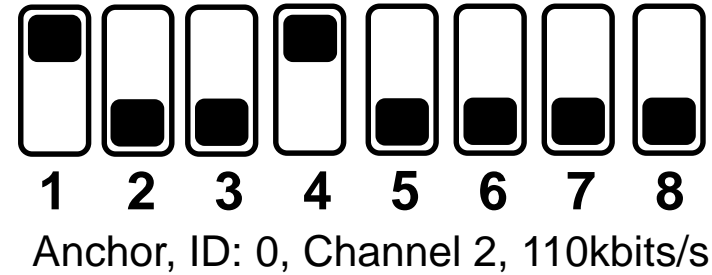
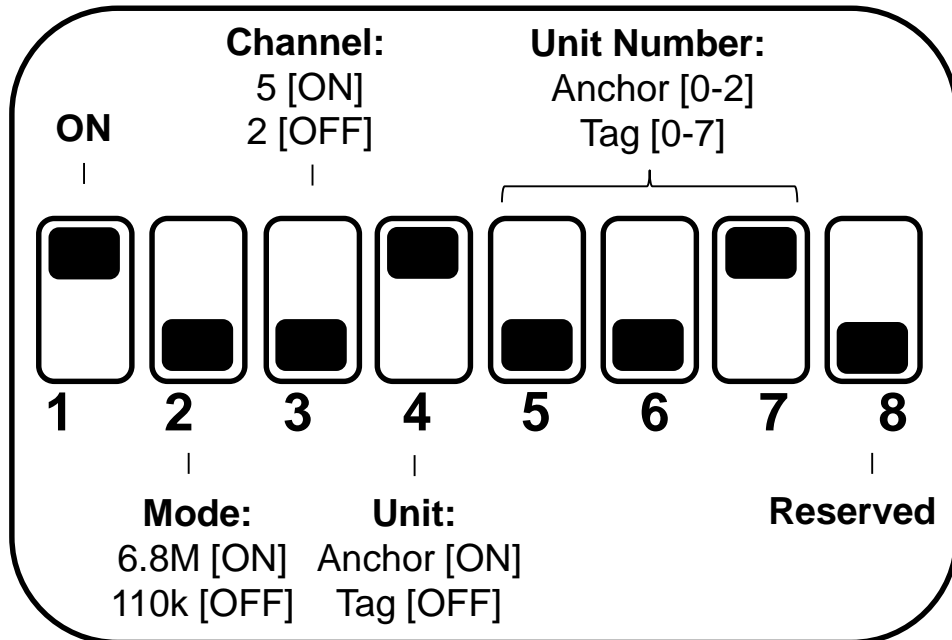


EVB1000 Back**EVB1000 Front**

1. Tracking Use Case: Configure

Configure using the TREK configuration DIP switches

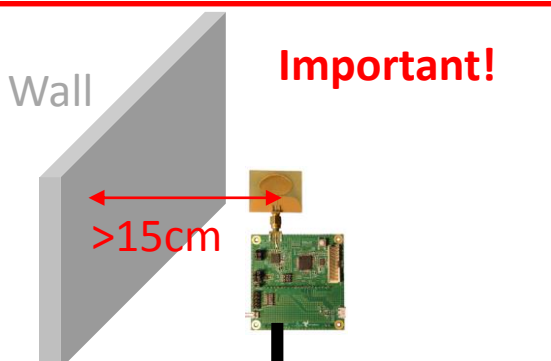
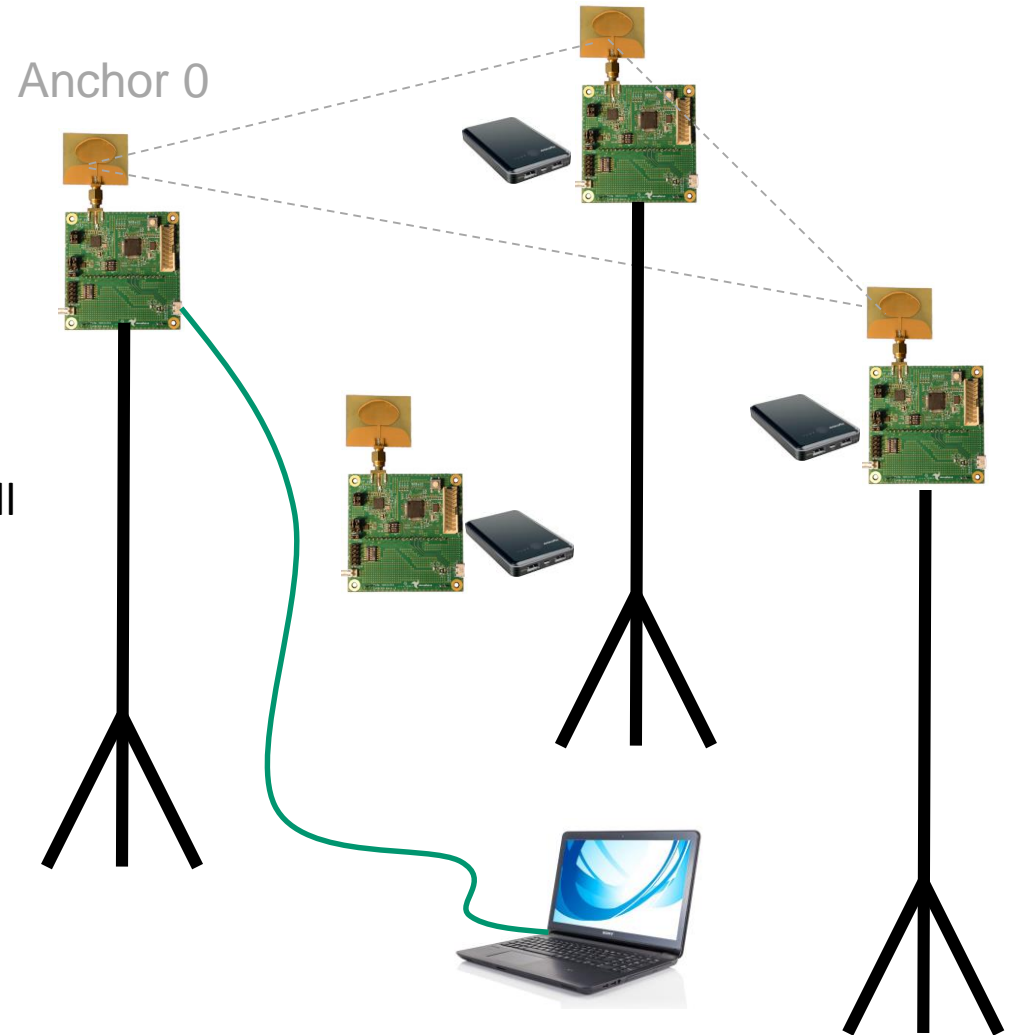
1. Configure 3 units as Anchors
2. Anchors should have IDs of: 0, 1, 2
3. Configure 1 unit as a Tag
4. The Tag should be given an ID of: 0



1. Tracking Use Case: Mount

Mount the Anchors

1. Mount the 3 Anchors at the same height
2. For correct height tracking Tag should be below the plane of the Anchors
3. Anchors must be >15 cm from any wall
4. Connect Anchor (ID=0) to the PC

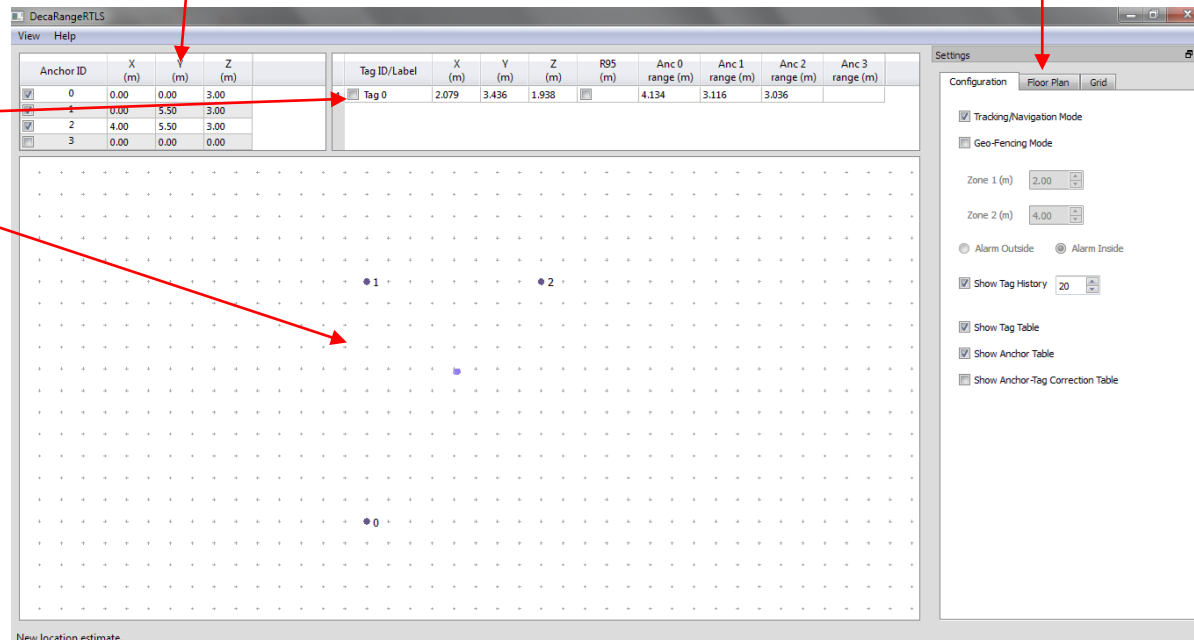


1. Tracking Use Case: Operate

Operate TREK in the Tracking Use Case

1. Ensure the 4 EVB1000 units are powered
2. Launch the DecaRangeRTLS.exe client
3. Set Anchor Co-Ordinates (Accuracy of positioning determines system performance)
4. Use mouse to position Anchors on screen
5. Track the Tag

Upload Floorplan



The screenshot displays the DecaRangeRTLS software interface. It features a main window with a menu bar (View, Help) and a central grid for visualizing anchors and tags. The interface is divided into several sections:

- Anchor Data Table:** A table with columns for Anchor ID, X (m), Y (m), and Z (m). It contains four rows of data for anchors 0, 1, 2, and 3.
- Tag Data Table:** A table with columns for Tag ID/Label, X (m), Y (m), Z (m), R95 (m), and four Anc (range (m)) columns. It contains one row for Tag 0.
- Grid:** A large grid representing the floor plan, with small blue dots indicating the positions of anchors (0, 1, 2) and a tag (0).
- Settings Panel:** A panel on the right side with tabs for Configuration, Floor Plan, and Grid. It includes various configuration options such as Tracking/Navigation Mode, Geo-Fencing Mode, Zone 1 (m), Zone 2 (m), Alarm Outside/Inside, Show Tag History, Show Tag Table, Show Anchor Table, and Show Anchor-Tag Correction Table.

Red arrows from the text on the left point to the corresponding elements in the software interface: one points to the Y column of the Anchor table, another to the Tag 0 row, and a third to the grid area.

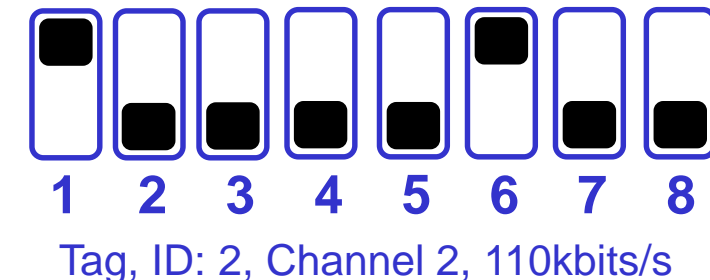
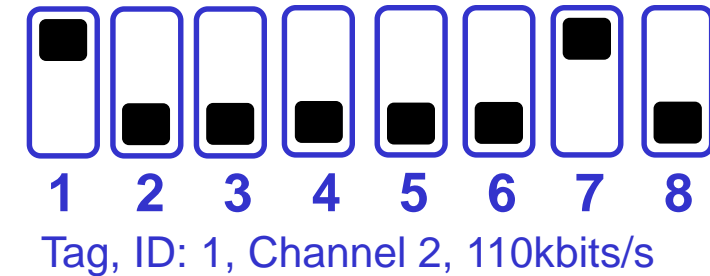
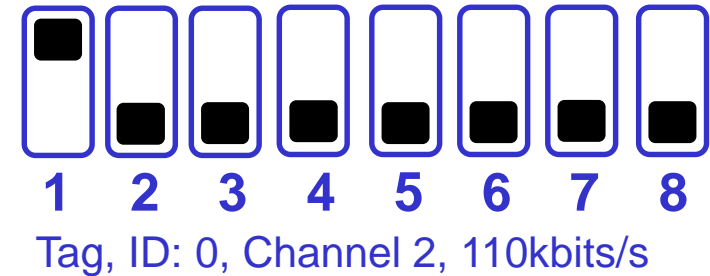
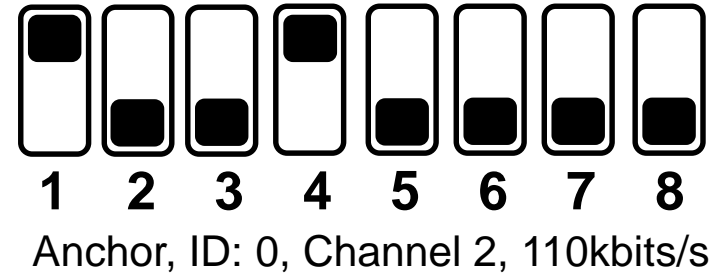
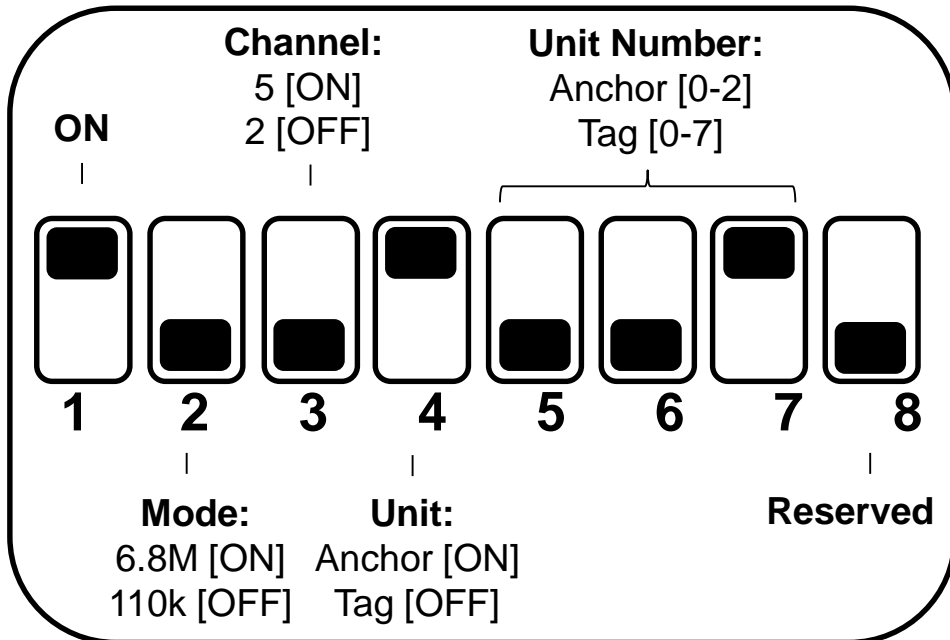
Anchor ID	X (m)	Y (m)	Z (m)
0	0.00	0.00	3.00
1	0.00	5.50	3.00
2	4.00	5.50	3.00
3	0.00	0.00	0.00

Tag ID/Label	X (m)	Y (m)	Z (m)	R95 (m)	Anc 0 range (m)	Anc 1 range (m)	Anc 2 range (m)	Anc 3 range (m)
Tag 0	2.079	3.436	1.938		4.134	3.116	3.036	

2. Geo-Fencing Use Case: Configure

Configure using the TREK configuration DIP switches

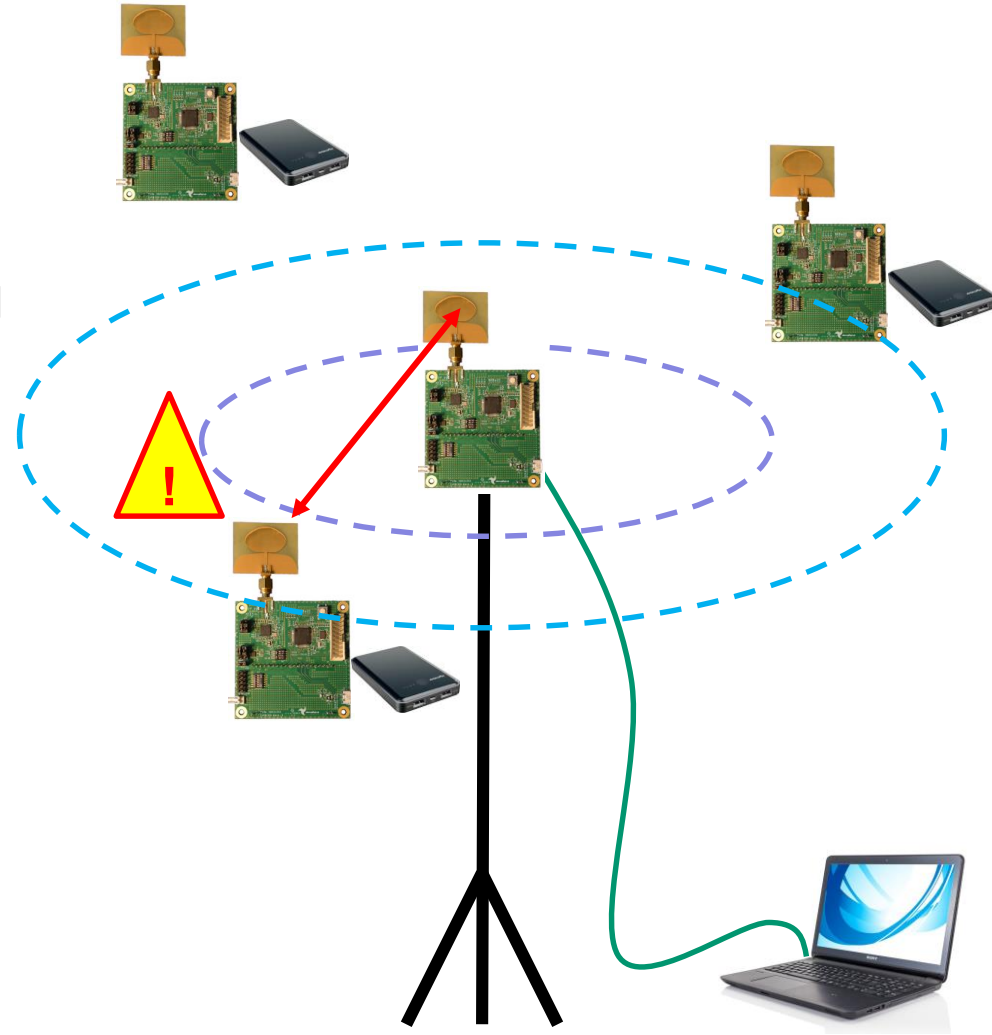
1. Configure 1 unit as an Anchor
2. Anchor must have ID of: 0
3. Configure up to 3 EVB1000 units as Tags
4. The Tags should be given IDs of: 0, 1, 2



2. Geo-Fencing Use Case: Mount

Mount the Anchor

1. Mount one Anchor (ID=0)
2. The Anchor must be >15 cm from any wall
3. The PC is connected to the Anchor
4. The 3 Tags can be moved inside and outside the perimeters

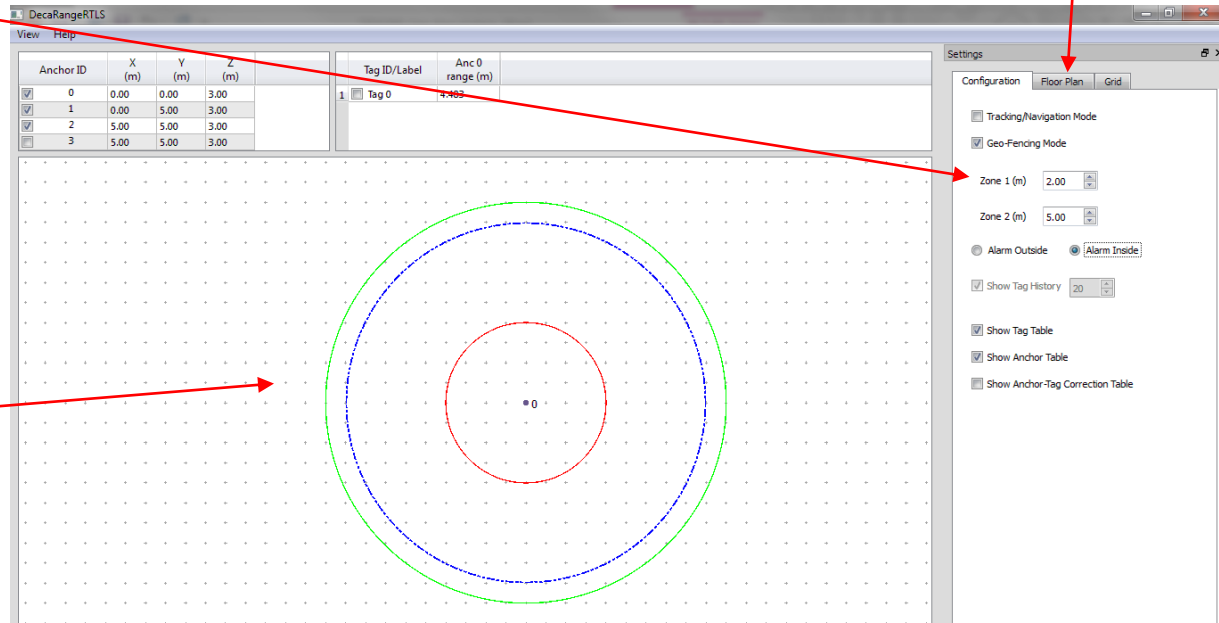


2. Geo-Fencing Use Case: Operate

Operate TREK in the Geo-Fencing Use Case

1. Ensure at least 2 EVB1000 units are powered
2. Launch the DecaRangeRTLS.exe client
3. Select Geo-Fencing Mode
4. Set the zone perimeters
5. Select 'Alarm Inside' or 'Alarm Outside'
6. The tag is displayed as circle which changes from green to blue to red as it crosses zone perimeters

Upload Floorplan



The screenshot displays the DecaRangeRTLS application window. It features a main grid area with three concentric circles representing zone perimeters: an inner red circle, a middle blue circle, and an outer green circle. A small black dot representing a tag is positioned at the center of these circles. The interface includes a table for anchors and tags, and a settings panel on the right.

Anchor ID	X (m)	Y (m)	Z (m)
<input checked="" type="checkbox"/> 0	0.00	0.00	3.00
<input checked="" type="checkbox"/> 1	0.00	5.00	3.00
<input checked="" type="checkbox"/> 2	5.00	5.00	3.00
<input type="checkbox"/> 3	5.00	5.00	3.00

Tag ID/Label	Anc 0 range (m)
<input type="checkbox"/> Tag 0	4.465

Settings panel (Floor Plan tab):

- Tracking/Navigation Mode
- Geo-Fencing Mode
- Zone 1 (m): 2.00
- Zone 2 (m): 5.00
- Alarm Outside Alarm Inside
- Show Tag History (20)
- Show Tag Table
- Show Anchor Table
- Show Anchor-Tag Correction Table

Connected to Anchor ID 0.

3. Navigation Use Case: Mount

Configure using the TREK configuration DIP switches

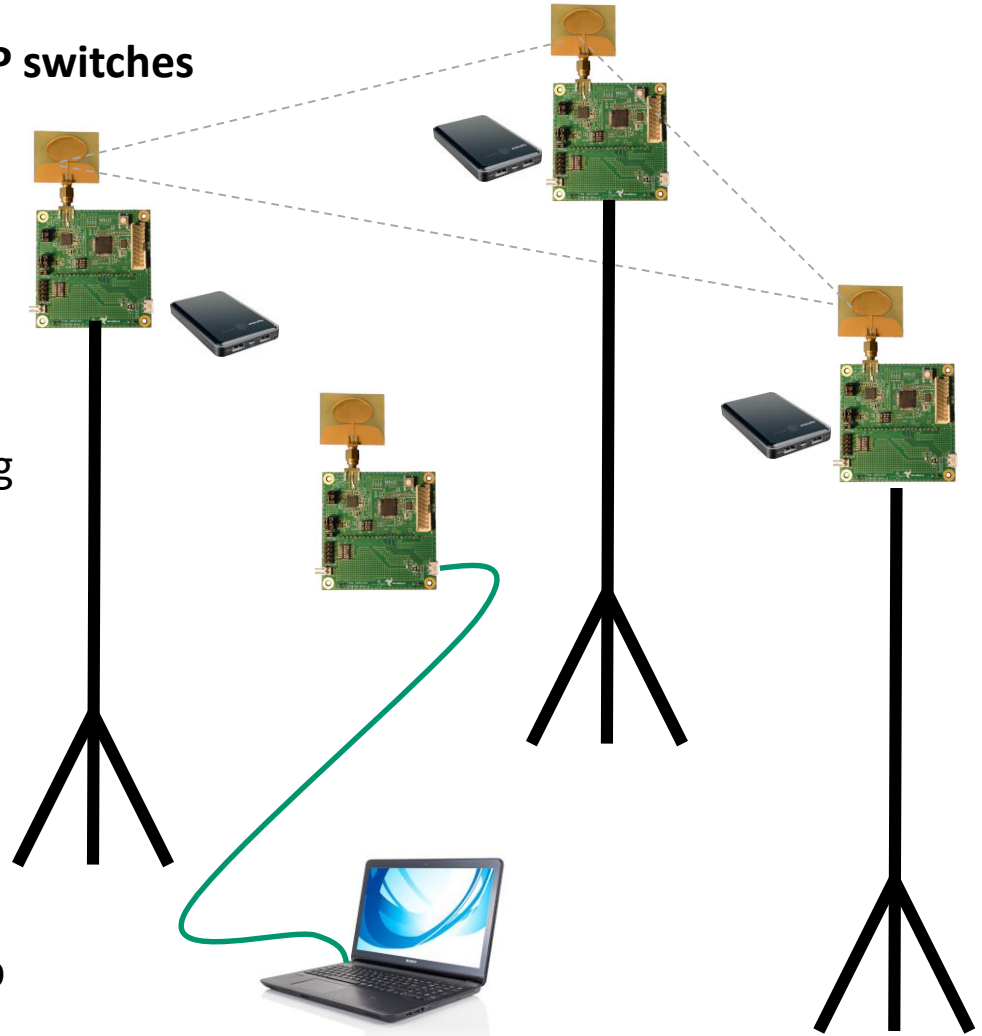
1. Use the same configurations as the Tracking Use Case

Mount the Anchors

1. Mount the 3 Anchors as per the Tracking Use-Case (see previous description for instructions)
2. This time connect the PC to the tag instead of an anchor

Operate TREK in the Navigation Use Case

1. Use the same DecaRangeRTLS.exe setup as the Tracking Use Case
2. In this scenario the display will show the location of the device it is attached to



DOCUMENT INFORMATION - Disclaimer

DecaWave reserves the right to change product specifications without notice. As far as possible changes to functionality and specifications will be issued in product specific errata sheets or in new versions of this document. Customers are advised to check with DecaWave for the most recent updates on this product.

Copyright © 2015 DecaWave Ltd

LIFE SUPPORT POLICY

DecaWave products are not authorized for use in safety-critical applications (such as life support) where a failure of the DecaWave product would reasonably be expected to cause severe personal injury or death. DecaWave customers using or selling DecaWave products in such a manner do so entirely at their own risk and agree to fully indemnify DecaWave and its representatives against any damages arising out of the use of DecaWave products in such safety-critical applications.



Caution! ESD sensitive device. Precaution should be used when handling the device in order to prevent permanent damage.

REGULATORY APPROVALS

This TREK1000 evaluation kit based on DecaWave's DW1000 IC is intended solely for use by competent engineering personnel for the purposes of evaluating the use of DecaWave's DW1000 IC in wireless location and communications systems. The TREK1000, as supplied from DecaWave, has not been certified for use in any particular geographic region by any regulatory body governing radio emissions in such regions.

The TREK1000 is supplied under the following conditions: -

- The distribution and sale of the TREK1000 is intended solely for use in future development of devices which may be subject to regulations or other authority governing radio emission.
- This TREK1000 may not be resold by users for any purpose.
- The TREK1000 as supplied by DecaWave may not be incorporated directly into user devices or products unless such products undergo the appropriate certification.
- Operation of the TREK1000 in the development of future devices is at the discretion of the user and the user bears all responsibility for any compliance with regulations laid down by the authority governing radio emissions in the user's jurisdiction.

All products developed by the user incorporating the DW1000 must be approved by the relevant authority governing radio emissions in a jurisdiction prior to the marketing or sale of such products in that jurisdiction. User bears all responsibility for obtaining such approval.

If the user has obtained the TREK1000 for any purpose other than those listed above the user should return the TREK1000 to the supplier immediately.

FCC NOTICE: This kit is designed to allow (i) product developers to evaluate electronic components, circuitry, or software associated with the kit to determine whether to incorporate such items in a finished product and (ii) software developers to write software applications for use with the end product. This kit is not a finished product and when assembled may not be resold or otherwise marketed unless all required FCC equipment authorizations are first obtained. Operation is subject to the conditions that this device not cause harmful interference to licensed radio stations and that this device accept harmful interference. Unless the assembled kit is designed to operate under Part 15, Part 18 or Part 95 of the FCC Rules, the operator of the kit must operate under the authority of an FCC license holder or must secure an experimental authorization under Part 5 of the FCC Rules.